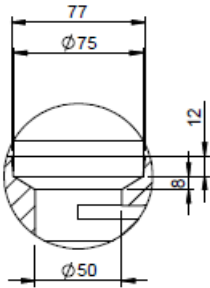
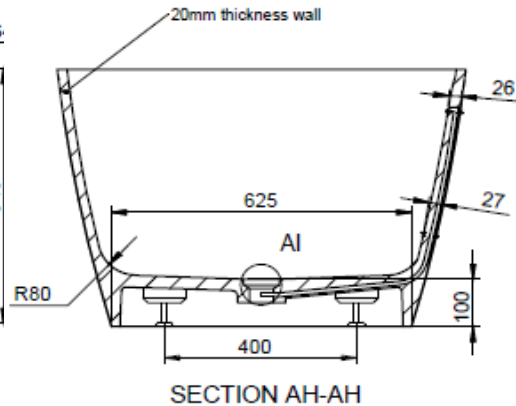
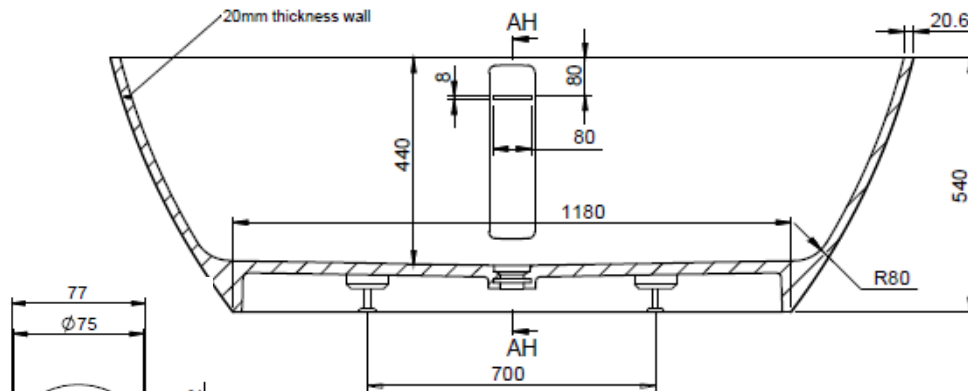
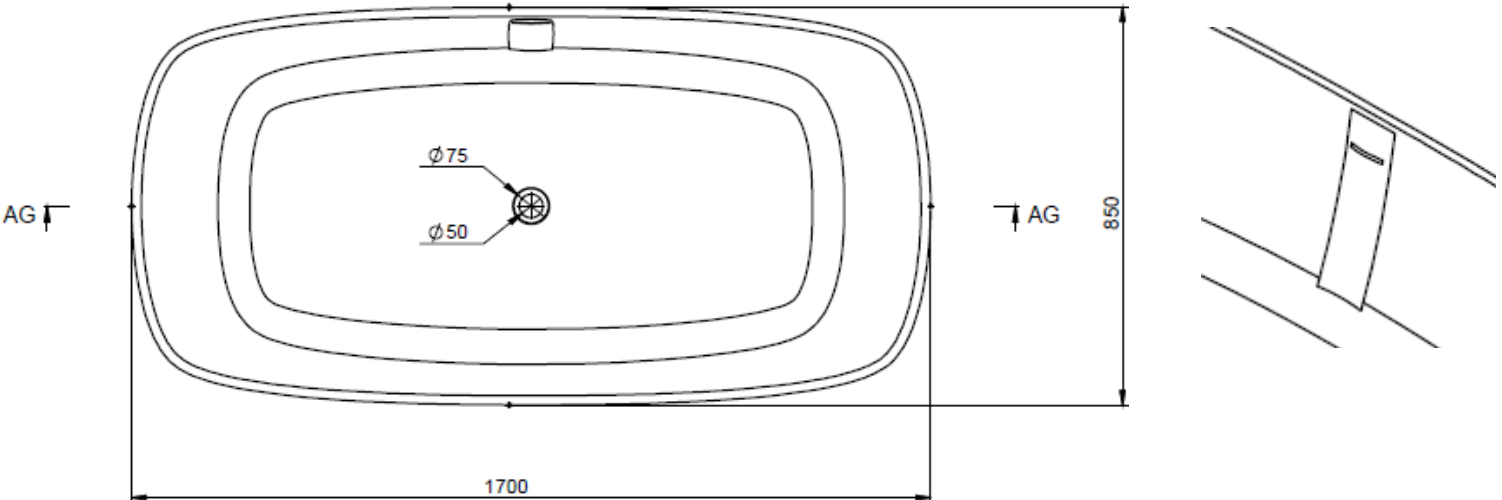




SOLIDPRIME PS IDV 290198

SOLID SURFACE RECTANGULAR BATHTUB



DETAIL AI  
SCALE 1:3

SECTION AG-AG

SECTION AH-AH



SOLIDPRIME MATTE WHITE PS IDV 290198  
 67" x 33-1/2" x 21-1/4" - 3/4" EDGE  
 NET WEIGHT 366 LBS - WATER CAPACITY 92 GAL  
 O/FLOW & MATTE WHITE TRIM ON POP-UP.  
 ADJUSTABLE FEET.

Project Information

Job Name: \_\_\_\_\_ Date: \_\_\_\_\_ Type of hardware: \_\_\_\_\_

Comments: \_\_\_\_\_

Approved: \_\_\_\_\_